





Telescopic Extensions

ADAPTABILITY

- Improves efficiency for deep hole drilling
- Innovative design significantly reduces swap-over time
- Easy adjustment to 3 heights
- Available for S5, S6 and PA augers

Constant Spiral Cut

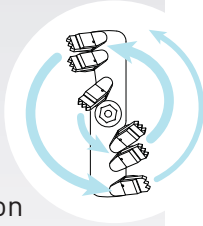
IMPROVED PRODUCTIVITY

- Fresh cut every revolution
- Tooth holders angled to direct spoil onto auger flights efficiently
- Spoil broken up thoroughly
- Avoids clogging

Interchangeable Wear Parts

FLEXIBILITY

- Shock Lock™ Augers feature Tooth Holders which can take both earth and Tungsten Teeth.
- Interchangeable pilots allow for differing ground conditions



Pilot Extensions

ACCURACY

- Allows an auger to hold its axis accurately in tough ground conditions
- Improves performance on sloping ground
- Simple fitting



Pilots

TOUGHNESS

- Earth, Tungsten, Extra Dig and Rock Pilots
- Tough forged construction
- Easy fitting



Shallow Pitch Flights

EFFICIENCY

- Piling industry technology
- Holds earth on flights on removal
- Most efficient ratio between quantity of earth removed and speed of operation

SHOCK LOCK™ Tooth Locking System



UNIQUE

Patented Design

“Don't leave your teeth down the hole!”

SHOCK LOCK™ Tooth Locking System

SIMPLE, SAFE & SECURE

- Unique to Auger Torque
- Lessens shock vibration
- Prolongs tooth life
- Avoids tooth loss
- Allows fast replacement
- Reliable technology with 100% customer satisfaction

International Patents:

- British Patent: 2404935
- European Patent: 1507061
- German Patent: 60 2004 009 250-9
- Australian Patent: 2004203825
- Canadian Patent: 2478443
- US Patent: 7383901

S2 AUGERS

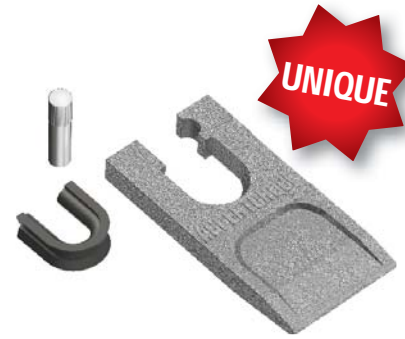
MICRO EXCAVATORS
0.75 - 1 T

HUB OPTIONS



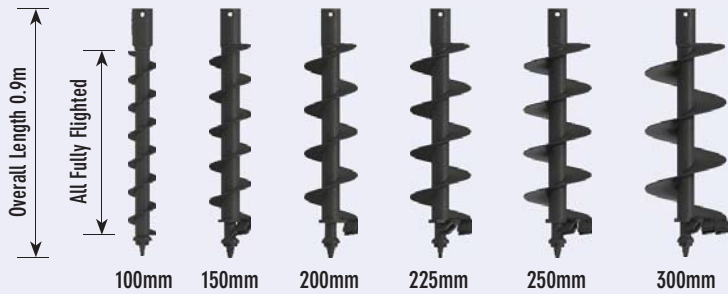
SHOCK LOCK™ Tooth Locking System

**DON'T LEAVE YOUR TEETH
DOWN THE HOLE!**



With our patented **Shock Lock™** Tooth Locking System tooth loss is now a thing of the past. Using the **Shock Lock™** pin and rubber in our unique **Shock Lock™** tooth holders ensures your Auger teeth are safely locked in place and protected against shock fractures.

Replacing worn teeth is a breeze with this system, simply knock out the old pin with a standard hole punch and the tooth will slide out of the holder with ease. Acclaimed as the best system on the market you will never need to worry about fitting spare teeth due to losing them again.



Earth Drill **1200**

Full technical details of the Earth Drills can be found in the Earth Drill Specifications book.

EARTH WEAR PARTS



S2/4
Earth Pilot
33-9203-KIT

S2/4 Shock Lock™
Earth Tooth
33-9121-KIT

EXTRAS



Pin & Clip
50 Round
42-1055-KIT

S1/2/4 Shock Lock™
Tooth Holder
33-1010

WEAR PARTS FOR GROUND CONDITIONS

EARTH (Shock Lock™)

Best suited to soft grounds like earth and clay.

S4 AUGERS

**MINI EXCAVATORS 1 - 5 T, MINI LOADERS,
SKIDSTEER LOADERS UP TO 80HP AND
TRUCK CRANES UP TO 9 T / METRE**

HUB OPTIONS



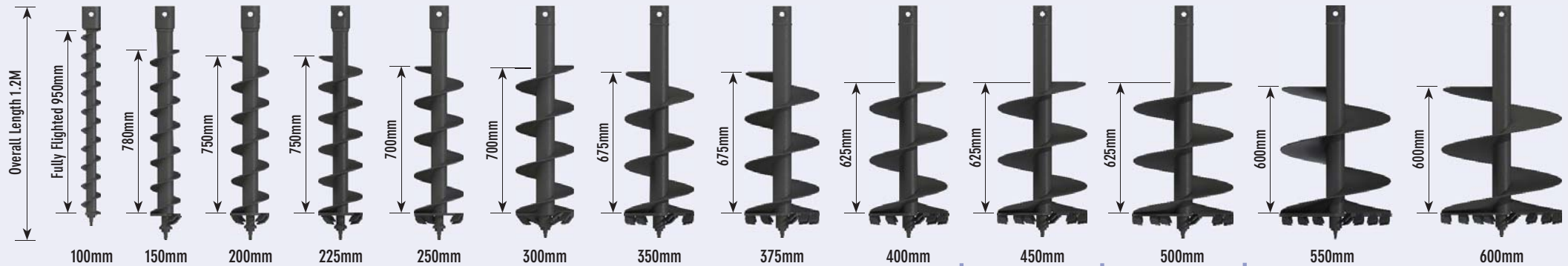
SHOCK LOCK™ Tooth Locking System

**DON'T LEAVE
YOUR TEETH
DOWN THE
HOLE!**



With our patented **Shock Lock™** Tooth Locking System tooth loss is now a thing of the past. Using the **Shock Lock™** pin and rubber insert in our unique **Shock Lock™** tooth holders ensures your Auger teeth are safely locked in place and protected against shock fractures.

Replacing worn teeth is a breeze with this system, simply knock out the old pin with a standard hole punch and the tooth will slide out of the holder with ease. Acclaimed as the best system on the market you will never need to worry about fitting spare teeth due to loss again.



Earth Drill **X1500**

Earth Drill **X2000**

Earth Drill **ML2000**

Earth Drill **X2500**

Earth Drill **ML2500**

Earth Drill **3000MAX**

Earth Drill **3000TC**

Earth Drill **3500MAX**

Earth Drill **4500MAX**

EARTH WEAR PARTS



S2/4 Earth Pilot
33-9203-KIT

S2/4 Shock Lock™ Earth Tooth
33-9121-KIT

TUNGSTEN WEAR PARTS



S4 Tungsten Pilot
33-9204-KIT

S4 Extra Dig Pilot
33-9212-KIT

S4 Shock Lock™ Flat Tungsten Tooth
33-9124-KIT

S4 Shock Lock™ Flat Tungsten Chisel
33-9123-KIT

S4 Shock Lock™ Tungsten Tooth
33-9122-KIT

S4 Shock Lock™ Tungsten Chisel
33-9125-KIT

EXTRAS

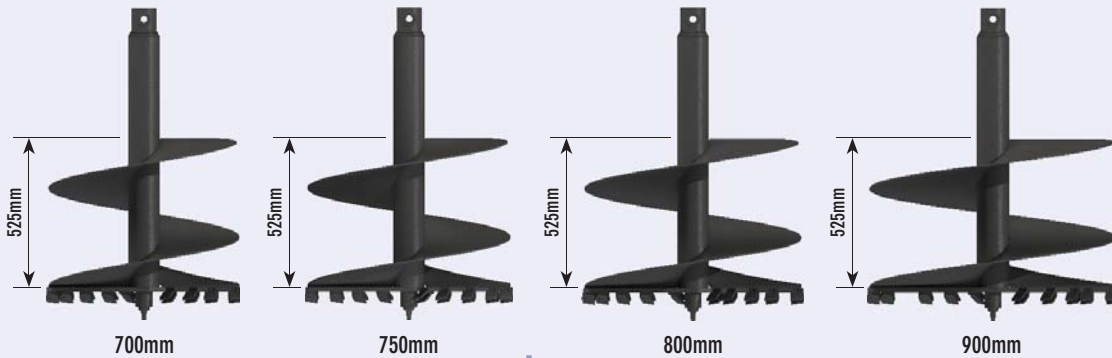


Pin & Clip 65 Round
30-0004-KIT

S1/2/4 Shock Lock™ Tooth Holder
33-1010

S4 Pilot Extension
33-4106-KIT

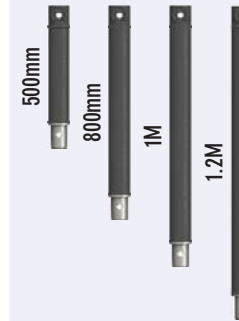
S4 Drive Lugs
33-4102
33-4105
33-4110



All the Augers above are shown with **Shock Lock™** Tooth Holders. Rock Teeth require a Rock Tooth version of the Auger.

* Overall Length given includes the auger fitted with wear parts.

S4 EXTENSIONS



WEAR PARTS REQUIRED FOR GROUND CONDITIONS

EARTH (Shock Lock™)

Best suited to soft grounds like earth and clay.

FLAT TUNGSTEN (Shock Lock™)

Best suited to soft abrasive grounds like sand, to help reduce wear.

FLAT TUNGSTEN CHISEL (Shock Lock™)

Used in conjunction with standard full width Flat Tungsten Teeth. Improves cutting where low down pressure machines are being used, i.e. Mini Loaders, small Skid Steer Loaders & small Excavators. Must only be fitted to the inside tooth holders with standard full width Flat Tungsten Teeth being fitted on the outer most holders.

TUNGSTEN (Shock Lock™)

Best used in dry, hard or medium ground conditions where floating rocks may be encountered. The perfect all-rounder if you are not sure about what you might encounter.

TUNGSTEN CHISEL (Shock Lock™)

Used in conjunction with standard full width Tungsten Teeth. Improves cutting where low down pressure machines are being used, i.e. Mini Loaders, small Skid Steer Loaders & small Excavators. Must only be fitted to the inside tooth holders with standard full width Tungsten Teeth being fitted on the outer most holders.

EXTRA DIG PILOT

A stronger Pilot for more demanding ground conditions.

S5 AUGERS

**EXCAVATORS FROM 4.5 - 8 T, TELEHANDLERS,
HIGH FLOW SKIDSTEER LOADERS, BACKHOES
AND TRUCK CRANES FROM 9 - 18 T / METRE**

HUB OPTIONS



75mm
Square



2.5" / 63.5mm
Hex

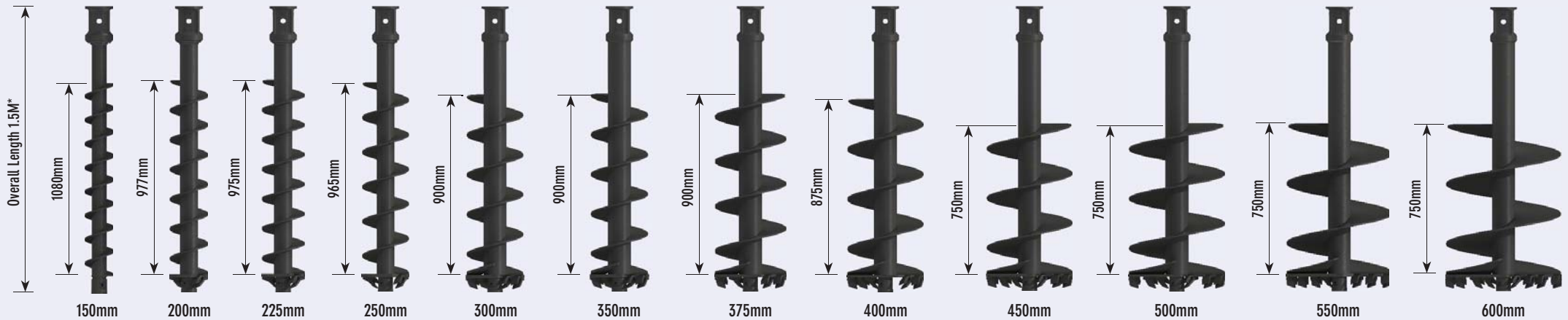
SHOCK LOCK™ Tooth Locking System

**DON'T LEAVE
YOUR TEETH
DOWN THE
HOLE!**



With our patented **Shock Lock™** Tooth Locking System tooth loss is now a thing of the past. Using the **Shock Lock™** pin and rubber insert in our unique **Shock Lock™** tooth holders ensures your Auger teeth are safely locked in place and protected against shock fractures.

Replacing worn teeth is a breeze with this system, simply knock out the old pin with a standard hole punch and the tooth will slide out of the holder with ease. Acclaimed as the best system on the market you will never need to worry about fitting spare teeth due to loss again.



Earth Drill **5000**

Earth Drill **5500MAX**

Earth Drill **5000TC**

Earth Drill **7000**

Earth Drill **7000MAX**

Earth Drill **7000TC**

Earth Drill **8000MAX**

EARTH WEAR PARTS



S5/6 Earth Pilot 33-9205-KIT
S5/6 Shock Lock™ Earth Tooth 33-9126-KIT

TUNGSTEN WEAR PARTS



S5/6 Tungsten Pilot 33-9206-KIT
S5/6 Shock Lock™ Tungsten Tooth 33-9127-KIT

ROCK WEAR PARTS



S5/6 Rock Pilot 33-9207-KIT
S5/6 Rock Tooth 33-9107

EXTRAS



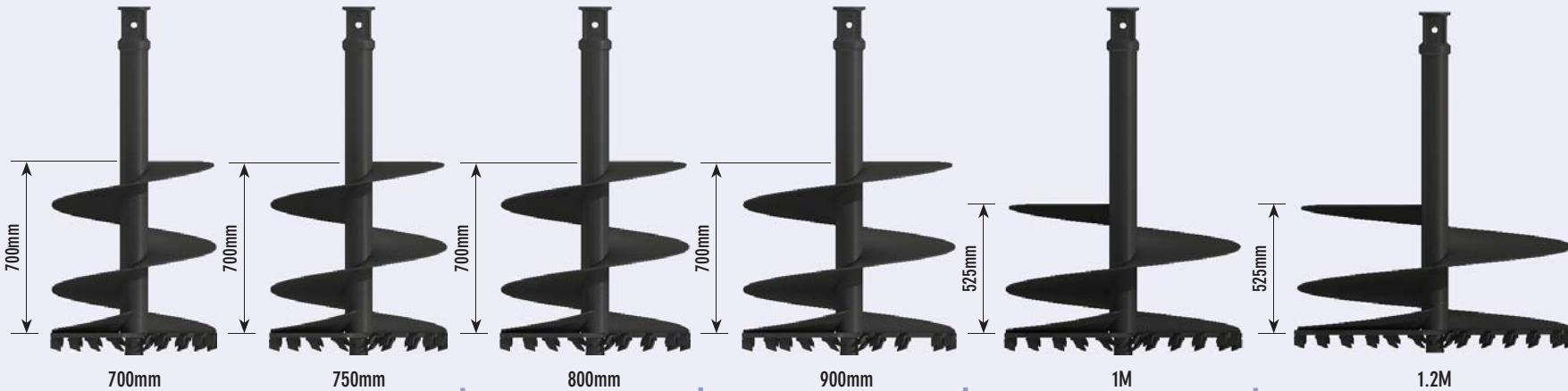
Pin & Clip 57/75 Square 30-0002-KIT
S5/6 Shock Lock™ Tooth Holder 33-1011
S5/6 Rock Tooth Holder 33-1013
S5/6 Drive Socket 1 3/4" Hex 33-4103

WEAR PARTS REQUIRED FOR GROUND CONDITIONS

EARTH (Shock Lock™)
Best suited to soft grounds like earth and clay.

TUNGSTEN (Shock Lock™)
Best used in dry, hard or medium ground conditions where floating rocks may be encountered. The perfect all-rounder if you are not sure about what you might encounter.

ROCK (Taper Lock)
For very hard ground and tarmac where extra cutting is needed and high wear is expected. Most effective on machines with high down pressure.

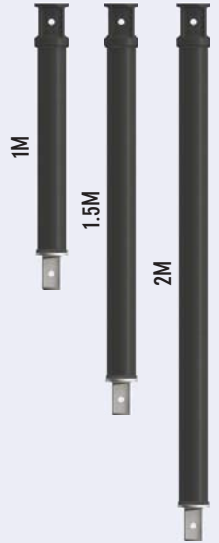


All the Augers above are shown with **Shock Lock™** Tooth Holders. Rock Teeth require a Rock Tooth version of the Auger.
* Overall Length given includes the auger fitted with wear parts.

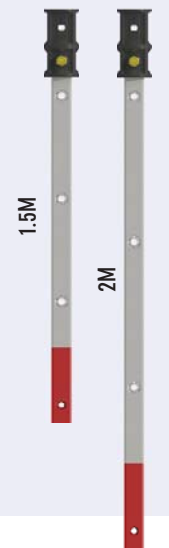
Augers over 1m - special order up to 1.2m

For Augers over 1 metre diameter please call our sales office for further information.

S5 EXTENSIONS



S5 TELESCOPIC



S6 AUGERS

EXCAVATORS & BACKHOES FROM 8 - 22 T

HUB OPTIONS



75mm
Square

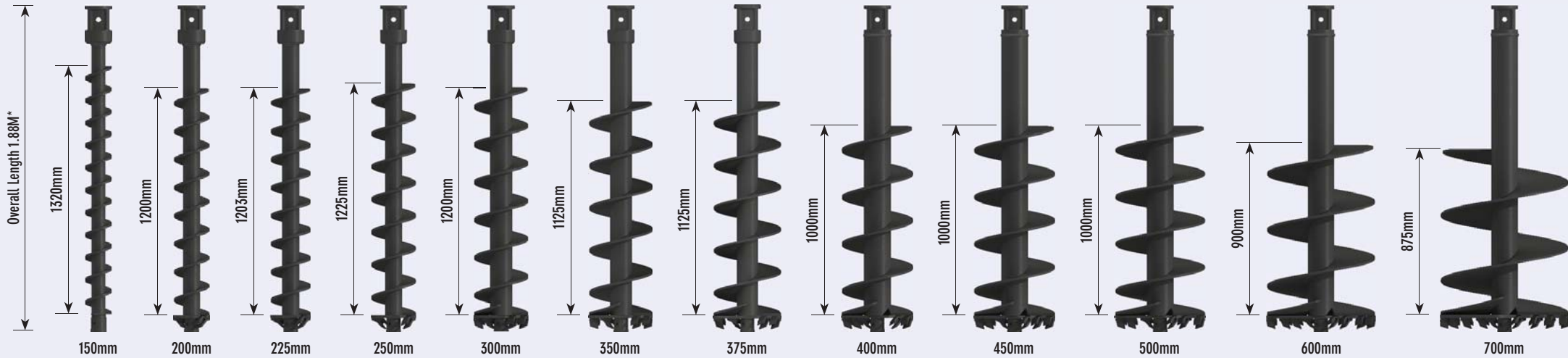
SHOCK LOCK™ Tooth Locking System

DON'T LEAVE
YOUR TEETH
DOWN THE
HOLE!



With our patented **Shock Lock™** Tooth Locking System tooth loss is now a thing of the past. Using the **Shock Lock™** pin and rubber insert in our unique **Shock Lock™** tooth holders ensures your Auger teeth are safely locked in place and protected against shock fractures.

Replacing worn teeth is a breeze with this system, simply knock out the old pin with a standard hole punch and the tooth will slide out of the holder with ease. Acclaimed as the best system on the market you will never need to worry about fitting spare teeth due to loss again.



Earth Drill **10 000**

Earth Drill **12 000**

Earth Drill **12 000MAX**

Earth Drill **17 000MAX**

Earth Drill **15 000**

Earth Drill **15 000MAX**

Earth Drill **20 000MAX**

Earth Drill **25 000MAX**

EARTH WEAR PARTS



S5/6 Earth Pilot 33-9205-KIT
S5/6 Shock Lock™ Earth Tooth 33-9126-KIT

TUNGSTEN WEAR PARTS



S5/6 Tungsten Pilot 33-9206-KIT
S5/6 Shock Lock™ Tungsten Tooth 33-9127-KIT

ROCK WEAR PARTS



S5/6 Rock Pilot 33-9207-KIT
S5/6 Rock Tooth 33-9107

EXTRAS

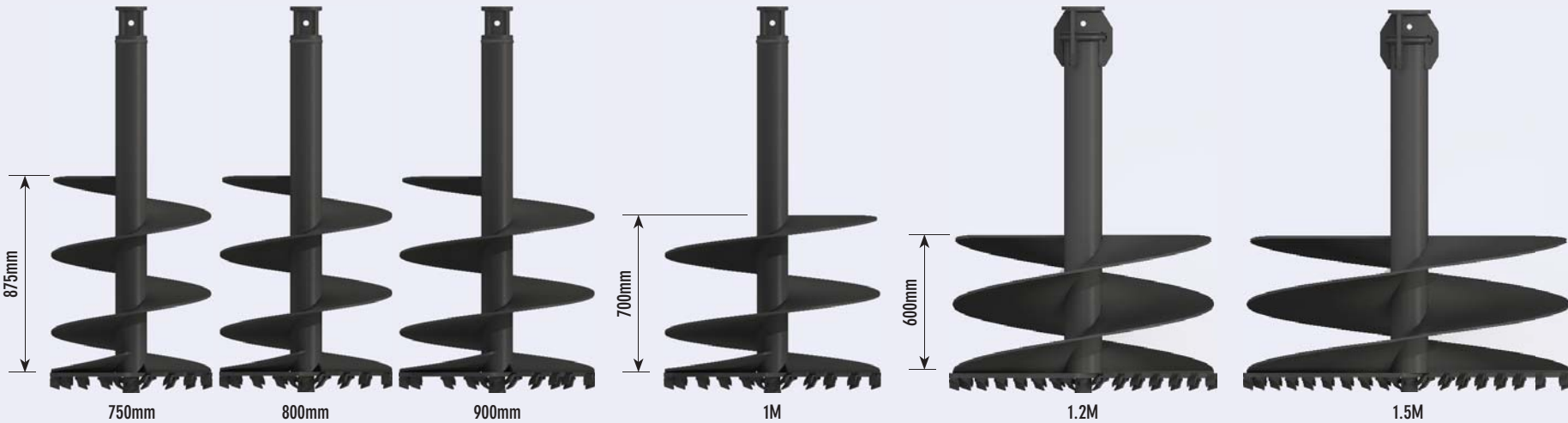
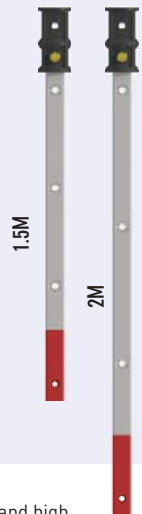


Pin & Clip 57/75 Square 30-0002-KIT
S5/6 Shock Lock™ Tooth Holder 33-1011
S5/6 Rock Tooth Holder 33-1013
S5/6 Drive Socket 1 3/4" Hex 33-4103

S6 EXTENSIONS



S6 TELESCOPIC



All the Augers above are shown with **Shock Lock™** Tooth Holders. Rock Teeth require a Rock Tooth version of the Auger.

* Overall Length given includes the auger fitted with wear parts.

Augers of a larger diameter and length can be manufactured for use with these Earth Drills, but technical advice is required. Call one of our main offices for more details.

WEAR PARTS FOR GROUND CONDITIONS

EARTH (Shock Lock™)
Best suited to soft grounds like earth and clay.

TUNGSTEN (Shock Lock™)
Best used in dry, hard or medium ground conditions where floating rocks may be encountered. The perfect all-rounder if you are not sure about what you might encounter.

ROCK (Taper Lock)
For very hard ground and tarmac where extra cutting is needed and high wear is expected. Most effective on machines with high down pressure.

PA AUGERS

EXCAVATORS 17 - 45 T

HUB OPTIONS



110mm
Square

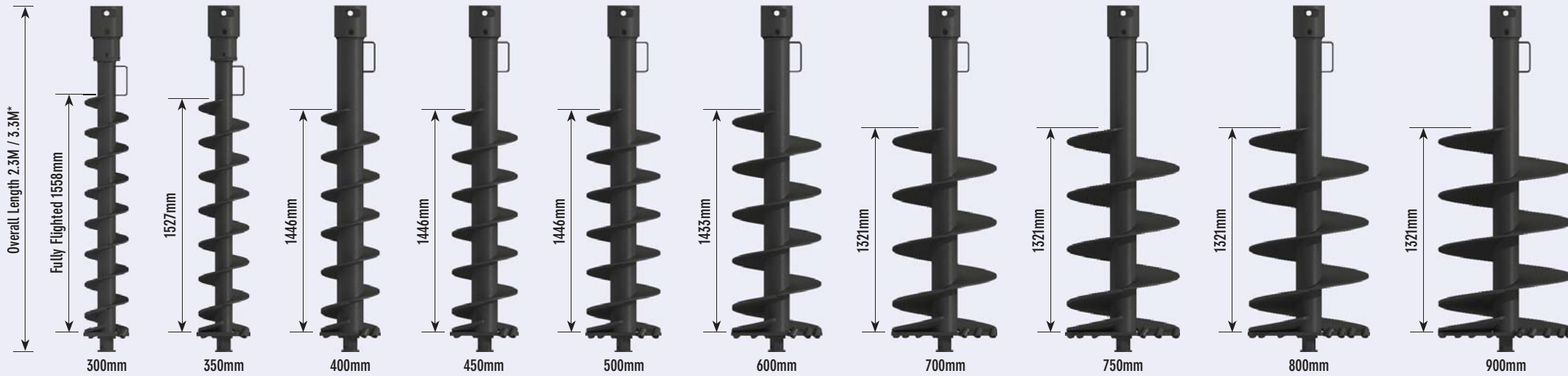
100mm Square and 130mm
Square options are also available.

PA Augers are available in 2.3 metre or 3.3 metre lengths as standard - Please specify when ordering



The PA Range of Augers are the most heavy-duty units available and are available in 2.3 metre and 3.3 metre lengths as standard. Fully flighted versions are available also.

Our standard PA Auger range has a maximum diameter of 1.5m however Augers with a diameter of up to 2.4m can be manufactured on request. Contact our sales office for further information.



Earth Drill **30 000**

Earth Drill **30 000MAX**

Earth Drill **40 000** (Augers start from 700mm Diameter)

Earth Drill **50 000MAX**

EARTH WEAR PARTS



ROCK WEAR PARTS



The PA Rock Pilot can be purchased in separate sections or as a whole assembly when buying replacement parts.

EXTRAS

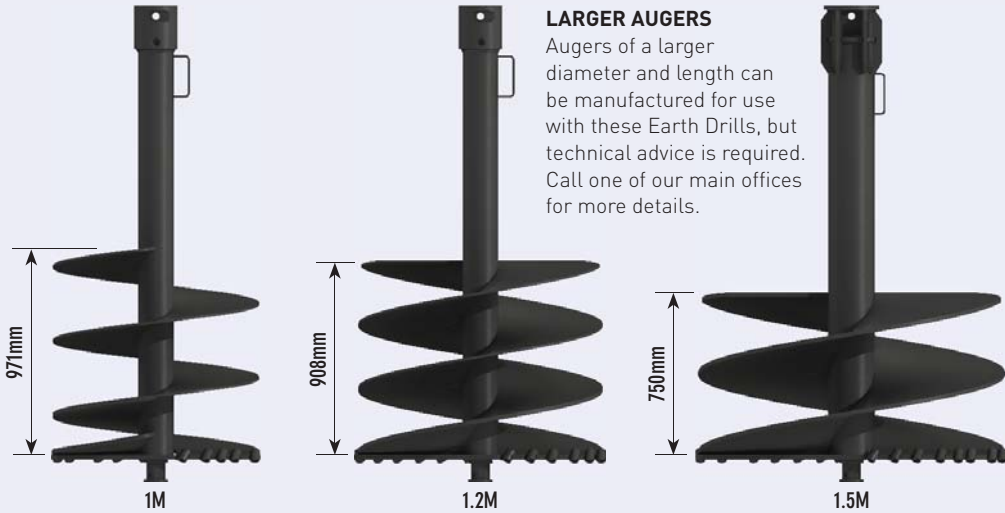


* Overall Length given includes the auger fitted with wear parts.

For Augers over 1.5 metres diameter please call one of our main offices for further information.

LARGER AUGERS

Augers of a larger diameter and length can be manufactured for use with these Earth Drills, but technical advice is required. Call one of our main offices for more details.



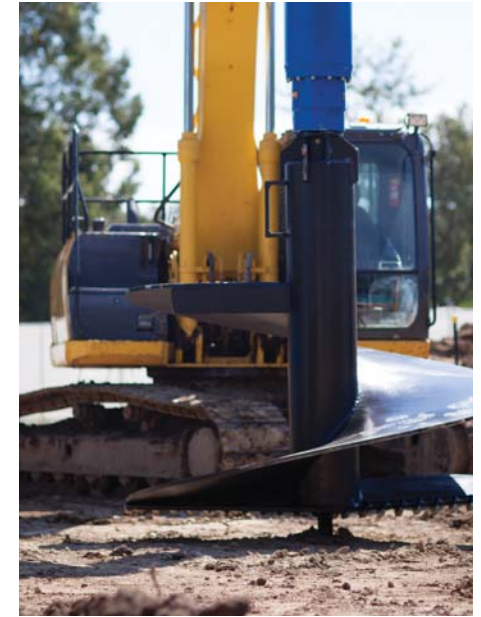
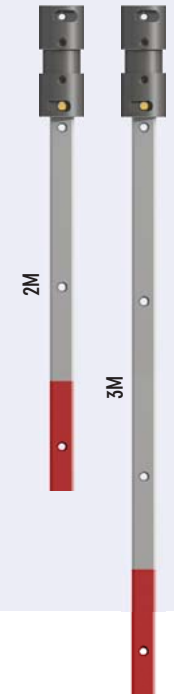
Augers over 1.5m - special order up to 2.2m

Augers over 1.5m - special order up to 2.4m

PA EXTENSIONS



PA TELESCOPIC



WEAR PARTS FOR GROUND CONDITIONS

EARTH (Taper Lock)

Best suited to soft grounds like earth and clay.

ROCK (Taper Lock)

For very hard ground and tarmac where extra cutting is needed and high wear is expected. Most effective on machines with high down pressure.



YOUR NEAREST DEALER IS

Auger Torque Europe Region

Auger Torque Europe Ltd

Cheltenham - United Kingdom

Phone: +44 (0)1451 861 652 Fax: +44 (0)1451 861 660

Email: sales@augertorque.com

Products and specifications subject to change without prior notice.

Some products may not be available in your country or region.

AUGER TORQUE, SHOCK LOCK™, NDS™ and the AUGER TORQUE LOGO are trademarks of Auger Torque Europe Ltd © 2013 Auger Torque Europe Ltd. All Rights Reserved.

