



D 100 AHA
D 120 AHA

D 100 AHG
D 120 AHG
D 150 AHG



www.ausa.com

AUSA Center, S.L.
Ctra. de Vic Km 2.8
08243 Manresa
BARCELONA (ESPAÑA)
Tel.: +34 93 874 73 11
E-mail: ausa@ausa.com
www.ausa.com



AUSA Madrid Pol. Ind. Coslada - C. Marconi 15-17, 28823 Coslada - MADRID (ESPAÑA) - Tel.: +34 91 669 00 06 - E-mail: ausa.madrid@ausa.com
AUSA France Z.I. Saint Charles - Rue de Zürich, 66000 PERPIGNAN (FRANCE) - Tel.: +33 (0) 4 68 54 38 97 - E-mail: ausa.france@ausa.com
AUSA Deutschland Tel.: +49 (0) 2384 9889905 - E-mail: ausa.deutschland@ausa.com
AUSA UK Tel.: +44 (0) 7970639988 - E-mail: ausa.uk@ausa.com
AUSA Brasil Avenida Belizario Ramos 2276 - Lages - SC, 88506-000 (BRASIL) - Tel.: +55 11 9 8786 6014 - E-mail: ausa.brasil@ausa.com
AUSAMéxico Calzada Vallejo 725 Del. Gustavo A. Madero - 07750 México D.F. (MÉXICO) - Tel.: +52 (55) 2166 9276 - E-mail: ausa.mexico@ausa.com
AUSA U.S. CORP. Tel.: +1 (917) 328 0770 - E-mail: ausa.us@ausa.com
AUSA Beijing Rep. Office Room 403, Moma Building, N.199 - Chaoyang bei road, Chaoyang District - 100026 BEIJING (CHINA)
Tel.: +86 10 8598 7386 - E-mail: ausa.china@ausa.com

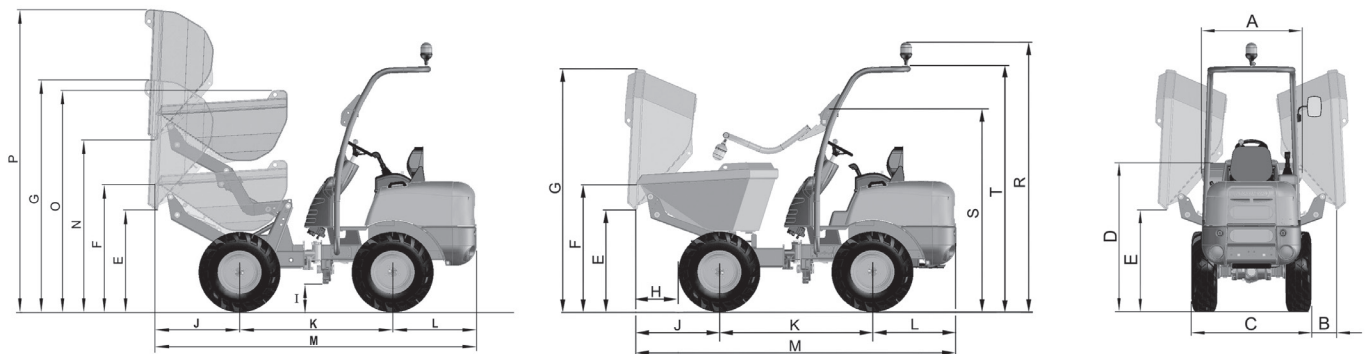
D 100 AHA_1000 Kg
D 120 AHA_1200 Kg
D 100 AHG_1000 Kg
D 120 AHG_1200 Kg
D 150 AHG_1500 Kg

DIMENSIONS (mm)	D 100 AHA	D 120 AHA	D 100 AHG	D 120 AHG	D 150 AHG
A	990	1190	990	1190	1391
B	-	-	293 (393)	245	100
C	1100 (1180, 1030, 990)	1200	1100 (1030)	1200	1450
D	1440	1485	1436	1470	1500
E	935	980	983	1020	1030
F	1230	1275	1227	1275	1275
G	2235	2280	2367	2430	2525
H	485	440	457	435	435
I	220	265	231	265	275
J	822	822	804	804	820
K	1500	1500	1500	1500	1600
L	820	820	820	820	820
M	3142	3142	3124	3124	3240
N	1635	1680	-	-	-
O	2135	2180	-	-	-
P	2935	2980	-	-	-
R	2605	2650	2636	2650	2600
S	1955	2000	1971	2000	2015
T	2375	2420	2400	2420	2450

* with optional tyres



www.ausa.com



TECHNICAL SPECIFICATIONS

	D 100 AHA / D 120 AHA	D 100 AHG / D 120 AHG	D 150 AHG	
Load capacity (Kg)	1000 / 1200	1000 / 1200	1500	
Unloading system	Hydraulic tipping	Hydraulic, 180° rotating	Hydraulic, 180° rotating	
Chassis		Articulated +/- 35° and oscillating +/- 13°		
Hopper capacities (l)	Water Levelled Heaped	345 / 425 395 / 515 505 / 680	325 / 415 390 / 495 505 / 670	520 626 835
Engine	Diesel Power acc./SAE J 1995 (KW/CV) N° of Cylinders Cooling system	Kubota D1105 16,8 KW / 22,8 CV (2700 rpm) 3 Water		
Traction		4 x 4 permanent		
Transmission		Hydrostatic with variable flow pump automatic regulation. Forward and reverse control on the joystick.		
Engine starting system		Electric		
Speed (max.) (Km/h)	15 / 17	15 / 17	14	
Axles		Axles with planetary wheel reduction		
Unladen weight (Kg)	1300 / 1375	1270 / 1375	1510	
Gradeability	38% / 48%	38% / 48%	40%	
Hydraulic circuit		Gear pump of 8 cc.		
Tyres	Standard Optional	Pression de travail 170 bar. / 210 bar. 27x8.50-15" / 10.0/75-15.3" 11.0 / 65 - 12; 7.00-12; 6.5/80 (D 100 AHA)	Working pressure 170 bar. 27 x 8.50 - 15" / 10.0/75-15.3" 7.00-12 (D 100 AHG)	Working pressure 210 bar. 10.0/75-15.3" -
External turning radius (mm)		3060		
Steering		Hydraulic		
Tank capacity (l)	Fuel Hydraulic fluid	23 21.2		
Service and parking brake		Sealed oil-immersed, multidisc, mechanically operated		
STANDARD EQUIPMENT		Anti vandal system Ergonomic with safety belt Joystick ROPS Rotating beacon Rear view mirror Audible reverse warning (Std. UK)		
OPTIONAL EQUIPMENT		Great confort seat FOPS overhead guard Homologated lighting equipment Metal engine canopy Towing hitch		