



**D 250 AHG**  
**D 250 AHGA**  
**D 350 AHG**  
**D 400 AHG**



**AUSA Center, S.L.**  
 Ctra. de Vic Km 2.8  
 08243 Manresa  
 BARCELONA (ESPAÑA)  
 Tel.: +34 93 874 73 11  
 E-mail: [ausa@ausa.com](mailto:ausa@ausa.com)  
[www.ausa.com](http://www.ausa.com)

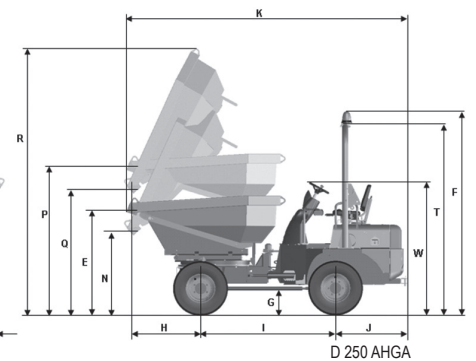
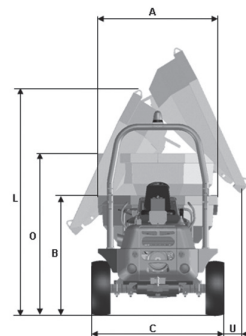
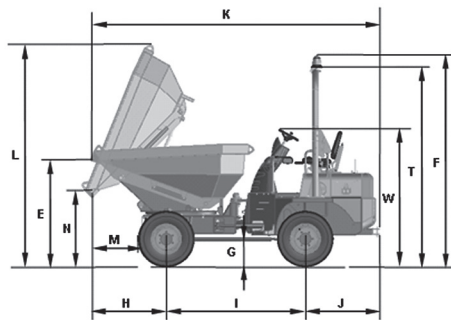
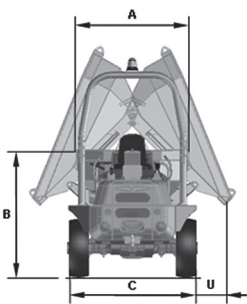


**AUSA Madrid** Pol. Ind. Coslada - C. Marconi 15-17, 28823 Coslada - MADRID (ESPAÑA) - Tel.: +34 91 669 00 06 - E-mail: [ausa.madrid@ausa.com](mailto:ausa.madrid@ausa.com)  
**AUSA France** Z.I. Saint Charles - Rue de Zürich, 66000 PERPIGNAN (FRANCE) - Tel: +33 (0) 4 68 54 38 97 - E-mail: [ausa.france@ausa.com](mailto:ausa.france@ausa.com)  
**AUSA Deutschland** Tel.: +49 (0) 2384 9889905 - E-mail: [ausa.deutschland@ausa.com](mailto:ausa.deutschland@ausa.com)  
**AUSA UK** Tel.: +44 (0) 7970639988 - E-mail: [ausa.uk@ausa.com](mailto:ausa.uk@ausa.com)  
**AUSA Brasil** Avenida Belizario Ramos 2276 - Lages - SC, 88506-000 (BRASIL) - Tel.: +55 11 9 8786 6014 - E-mail: [ausa.brasil@ausa.com](mailto:ausa.brasil@ausa.com)  
**AUSAMéxico** Calzada Vallejo 725 Del. Gustavo A. Madero - 07750 México D.F. (MÉXICO) - Tel.: +52 (55) 21669276 - E-mail: [ausa.mexico@ausa.com](mailto:ausa.mexico@ausa.com)  
**AUSA U.S. CORP.** Tel.: +1 (917) 328 0770 - E-mail: [ausa.us@ausa.com](mailto:ausa.us@ausa.com)  
**AUSA Beijing Rep. Office** Room 403, Moma Building, N.199 - Chaoyang bei road, Chaoyang District - 100026 BEIJING (CHINA)  
 Tel.: +86 10 8598 7386 - E-mail: [ausa.china@ausa.com](mailto:ausa.china@ausa.com)

**D 250 AHG** \_2500 Kg  
**D 250 AHGA** \_2500 Kg  
**D 350 AHG** \_3500 Kg  
**D 400 AHG** \_2500 Kg

**AUSA**  
www.ausa.com

DIMENSIONS (mm)	D 250 AHG	D 250 AHGA	D 350 AHG	D 400 AHG
A	1503	1695	1852	1866
B	1694	1700	1740	1838
C	1755	1875	1858	1858
E	1500	1540	1506	1590
F	2915	2924	2956	2956
G	347	363	395	395
H	1050	980	1024	1200
I	1920	1920	1932	1950
J	1025	995	1025	1007
K	3975	4000	4120	4353
L	3070	3230	3105	3150
M	660	590	590	766
N	1050	1250	1035	860
T	2705	2705	2770	2770
U	364	250	327	502
W	1909	1909	1940	1940
O	-	2300	-	-
P	-	2140	-	-
Q	-	1850	-	-
R	-	3830	-	-



**TECHNICAL SPECIFICATIONS**

		D 250 AHG	D 250 AHGA	D 350 AHG	D 400 AHG
<b>Load capacity (Kg)</b>		2500		3500	4000
<b>Unloading system</b>		Hydraulic, 180° rotating	Hydraulic tipping	Hydraulic, 180° rotating	
<b>Chassis</b>		Articulated and oscillating			
<b>Hopper capacities (l)</b>	Water	818	817	1050	1350
	Levelled	1200	1246	1726	2163
	Heaped	1910	2063	2737	2941
<b>Engine</b>	Diesel	Kubota V2403M			
	Power acc./SAE J 1995 (KW/HP)	36.5 / 49.6			
	N° of Cylinders	4			
	Cooling system	Water			
<b>Traction</b>		4 x 4 permanent			
<b>Transmission</b>		2-speed hydrostatic. Front-reverse direction electro-hydraulic operated. Axles with planetary reduction on differential output			
<b>Engine starting system</b>		Electric			
<b>Speed (max.) (km/h)</b>		20		21	
<b>Unladen weight (Kg)</b>		2650	2960	2780	2830
<b>Gradient negotiable (with full load)</b>		70 %		54%	49%
<b>Hydraulic circuit</b>		Gear pump of 12 cc. Working pressure 180 bar			
<b>Tyres</b>	Front	10,0/75-15.3		11.5/80-15.3 (14 PR)	
	Rear	10,0/75-15.3		11.5/80-15.3 (14 PR)	
<b>External turning circle</b>		4225	4330	4680	4720
<b>Steering</b>		Hydraulic Working pressure 110 bar			
<b>Tank capacity (l)</b>	Fuel	44			
	Hydraulic fluid	40			
<b>Service brake</b>		Oil-immersed, multidisc, hydraulically operated			
<b>Parking brake</b>		Oil-immersed, multidisc, mechanically operated			
<b>STANDARD EQUIPMENT</b>		Foldable ROPS arch Anti vandal system Ergonomic seat with safety belt Rotating beacon Audible reverse warning			
<b>OPTIONAL EQUIPMENT</b>		Lighting equipment Towing hitch Electronic antitheft protection system			