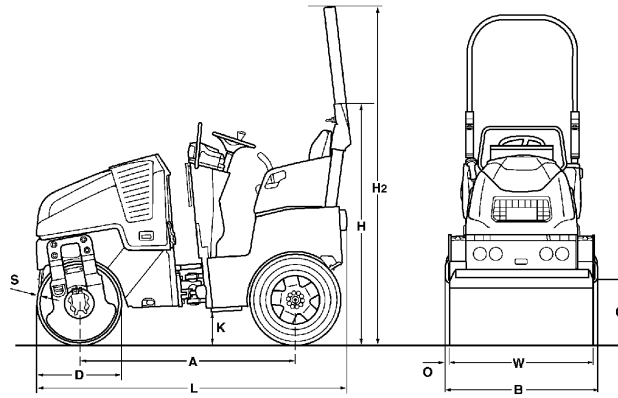


# TECHNICAL DATA

COMBINATION ROLLER

BW 100 ACM-5, BW 100 SCC-5





**Dimensions in mm**

	<b>A</b>	<b>B</b>	<b>C</b>	<b>D</b>	<b>H</b>	<b>H2</b>	<b>K</b>	<b>L</b>	<b>O</b>	<b>S</b>	<b>W</b>
<b>BW 100 ACM-5</b>	1483	1056	435	580	1663	2340	240	2194	28	12	1000
<b>BW 100 SCC-5</b>	1483	1056	435	580	1663	2340	240	2194	28	12	1000

**Shipping dimensions in m3**

**BW 100 ACM-5**  
**BW 100 SCC-5**

**without ROPS**

3,853  
 3,853

**with ROPS**

5,421  
 5,421

<b>Machine type</b>	<b>Compaction output (t/h) at different asphalt layer thicknesses</b>		
	<b>2-4 cm</b>	<b>6-8 cm</b>	<b>10-14 cm</b>
BW 100 ACM-5	10-35	30-45	40-70
BW 100 SCC-5	10-35	30-45	40-70

**Technical Data****BOMAG  
BW 100 ACM-5****BOMAG  
BW 100 SCC-5****Weights**

Operating weight CECE .....	kg	1.600	1.700
Axle load, drum / wheels CECE .....	kg	770/830	775/875
Wheel load CECE .....	kg	208	219
Static linear load, front CECE .....	kg/cm	7,7	7,8
Grossweight .....	kg	1.900	1.900

**Dimensions**

Working width .....	mm	1.000	1.000
Track radius, inner .....	mm	1.980	1.980

**Driving Characteristics**

Speed .....	km/h	0- 10,0	0- 10,0
Working speed with vibration .....	km/h	0- 10,0	0- 10,0
Max. gradeability without/with vibr. ....	%	40/30	40/30

**Drive**

Engine manufacturer .....		Kubota	Kubota
Type .....		D 902	D 902
Emission stage .....		Stage IV / TIER4f	Stage IV / TIER4f
Cooling .....		water	water
Number of cylinders .....		3	3
Performance ISO 14396 .....	kW	15,1	15,1
Performance SAE J 1995 .....	hp	20,2	20,2
Speed .....	min-1	3.000	3.000
Speed adjustment 1 .....	min-1	2.100	2.100
Speed adjustment 2 .....	min-1	3.000	3.000
Electric equipment .....	V	12	12
Driven drum .....		front	front
Driven wheels .....		4	4

**Drums and Tyres**

Tyre size .....		205/60-15	205/60-15
-----------------	--	-----------	-----------

**Brakes**

Service brake .....		hydrost.	hydrost.
Parking brake .....		hydromec.	hydromec.

**Steering**

Steering system .....		oscil.artic.	oscil.artic.
Steering method .....		hydrost.	hydrost.
Steering / oscillating angle +/- .....	grad	33/8	33/8
Crab walk .....		0- 50	0- 50

**Exciter system**

Vibrating drum .....		front	front
Drive system .....		hydrost.	hydrost.
Frequency .....	Hz	42/63	42/63
Amplitude .....	mm	0,40	0,40
Centrifugal force .....	kN	8/17	8/19

**Sprinkler System**

Type of sprinkling .....		pressure	pressure
--------------------------	--	----------	----------

**Capacities**

Fuel .....	l	30,0	30,0
Water .....	l	100,0	100,0
Emulsion .....	l	11,0	11,0

Technical modifications reserved. Machines may be shown with options.

### Standard Equipment

- Four smooth rear rubber wheels
- Hydrostatic travel and vibration drive
- Pressure sprinkler system with interval switch
- 2 scrapers per drum, spring loaded and tiltable
- Multi function travel lever
- Multi-function display incl. operating hour meter
- Water level
- Emergency STOP
- Intelligent Vibration Control (IVC)
- Integrated stowage compartment
- Adjustable operator's seat
- Lashing eyes, galvanized
- Back-up alarm
- Single point lifting device
- Vandalism protection
- Lockable engine hood made of composite material
- Working lights front and rear
- 12V socket
- Seat contact switch

### Optional Equipment

- \* ROPS with safety belt
- Foldable ROPS incl. seat belt
- Edge cutter (BW 100 ACM)
- Double travel lever
- Battery disconnect switch
- Indicator and hazard lights
- Rotary beacon
- Optional lighting on ROPS
- Special painting
- electronic fuel gauge
- Seat heating
- Backup warning buzzer with broadband technology
- Environmentally compliant hydraulic oil
- Theft protection
- Port for hydraulik breaker
- Brake release device
- BOMAG TELEMATIC
- Asphalt temperature display

\* Standard delivery with CE conformity  
(valid within European Union)

